



▲ Full Text
? Help

Go to Page:

Go



Sections:

- [Front Page](#)
- [Drawings](#)
- [Specifications](#)
- [Claims](#)

May 23, 1933.

A. E. GLANCY

1,910,466

OPHTHALMIC LENS

Filed Aug. 30, 1929

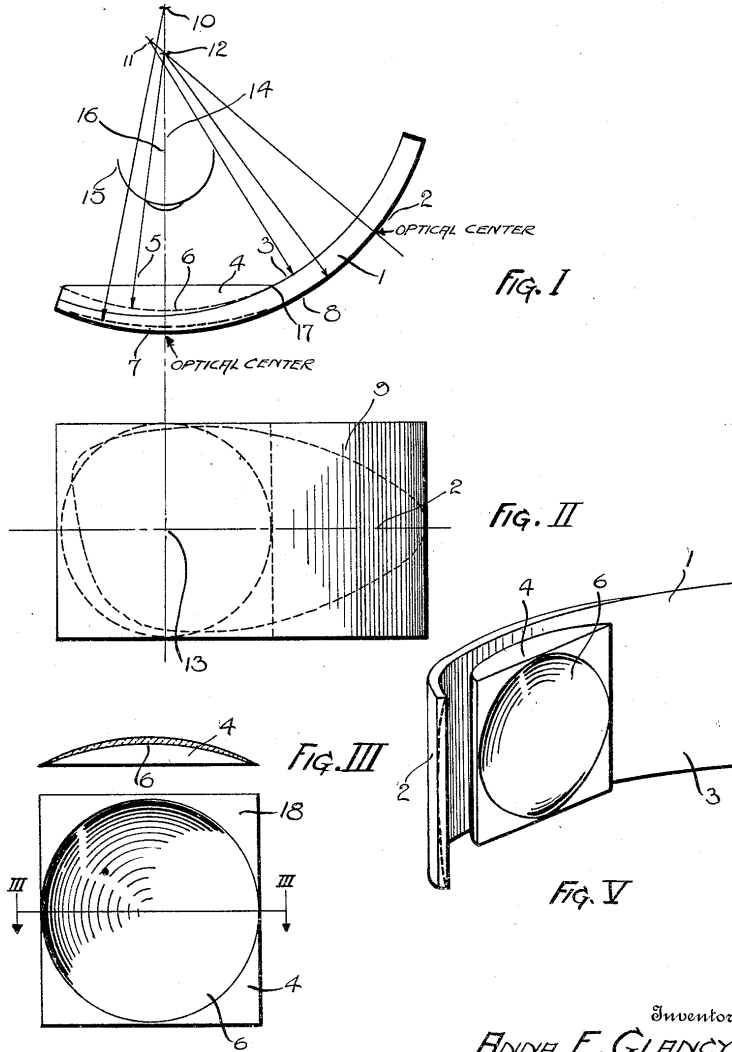


FIG. IV

Inventor
ANNA E. GLANCY

By *Harry H. Styll*
Attorney